



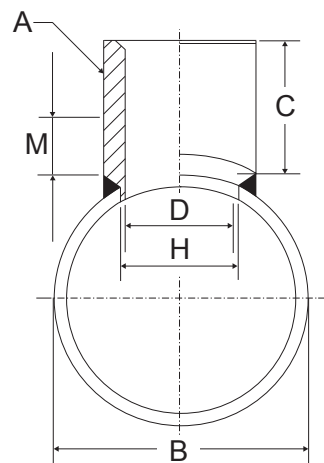
Welded Universal Threaded Outlet Fitting

74

Welded Outlets

Technical Features

- **Sizes Available (Nominal) :**
Pipe run : DN32/1 1/4" to DN200/8"
Outlet : DN15/1/2" to DN25/1"
- **Pressure Data :**
Working Pressure: 21.7 bar (300 psi)*
* Maximum working pressure based on Sch. 40 steel pipe. For other pipe schedules please contact Viking.
- **Connections :** Weldable inlet and threaded female NPT/BSP outlet
- **Materials :** Carbon Steel to ASTM A105
- **Features :**
 - Only one 1/2 and 3/4 outlet is required for header sizes 1 1/4"- 8"
 - Only three 1" outlets are required for header sizes 1 1/4"- 1 1/2", 2"-2 1/2" & 3"- 8".
 - Reduces stock numbers by 70% over traditional outlets
 - Reduces welding time and likelihood of weld or burn through
 - Reduces or eliminates the need for grinding or hole clean-up
 - The design provides maximum weld strength with low weld volume
 - Designed for automatic or manual weld operations
 - Meet NFPA 13 requirements



Welded Universal Threaded Outlet Fitting - 74

Physical Data

Outlet size A mm / in	Header size Range B mm / in	Outlet Dimensions		Hole size H mm / in	Make-Up M mm / in	Weight kgs / Lbs	Reference
		Length C mm / in	Inside Diameter D mm / in				
15	32 – 200	26.9	17.8	22 - 23	12.7	0.06	74/050125800
1/2	1 1/4 – 8	10.6	0.7	7/8	1/2	0.14	
20	32 - 200	28.6	22.9	27 - 28	12.7	0.10	74/075125800
3/4	1 1/4 – 8	1.13	0.9	1 - 1/16	1/2	0.22	
25	32 – 40	31.8	29.1	34	12.7	0.14	74/100125150
1	1 1/4 – 1 1/2	1 1/4	1.15	1 - 5/16	1/2	0.31	
25	50 – 65	31.8	29.1	34	12.7	0.14	74/100200250
1	2 – 2 1/2	1 1/4	1.15	1 - 5/16	1/2	0.31	
25	80 – 200	31.8	29.1	34	12.7	0.14	74/100300800
1	3 – 8	1 1/4	1.15	1 - 5/16	1/2	0.31	